

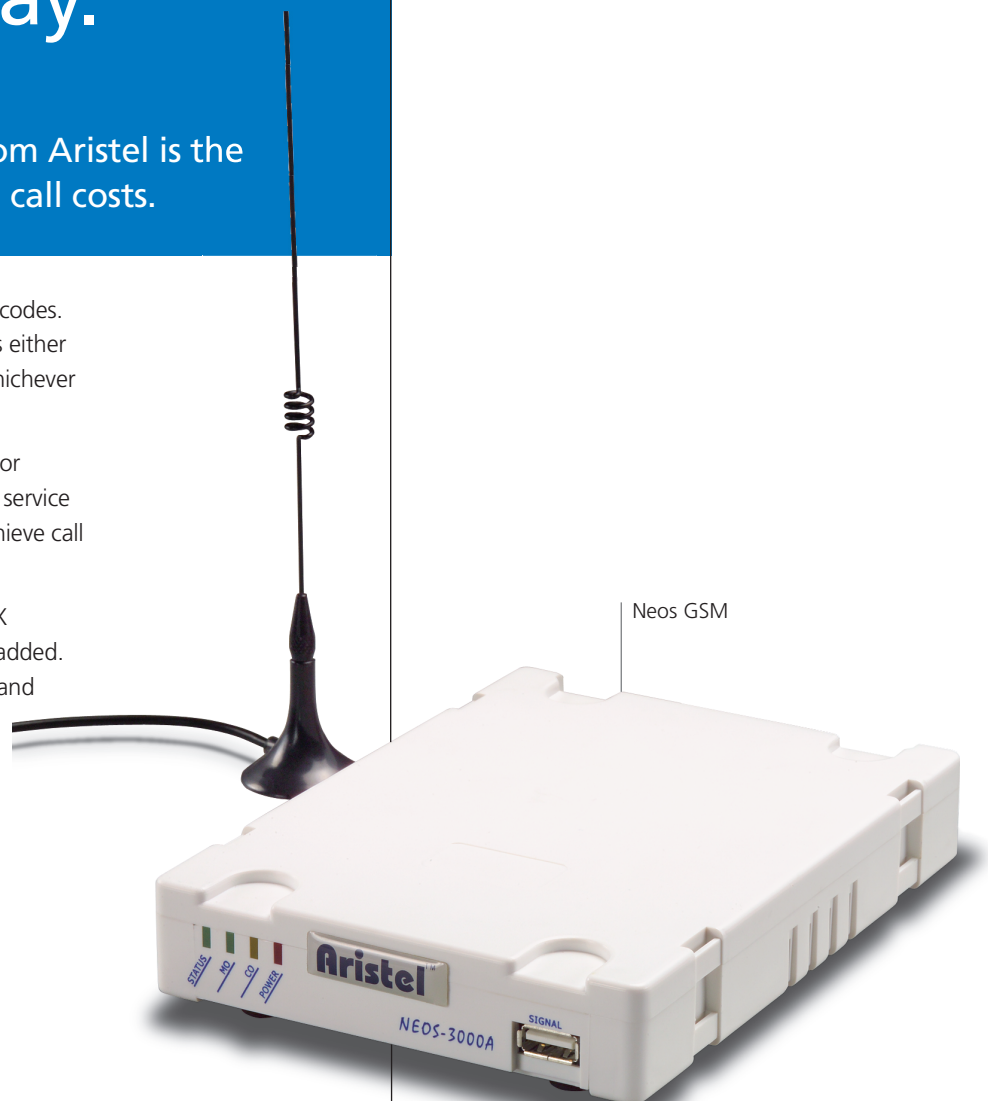
The ultimate gsm gateway.

The NEOS GSM Gateway
(fixed cellular terminal) from Aristel is the
simple solution to slashing call costs.

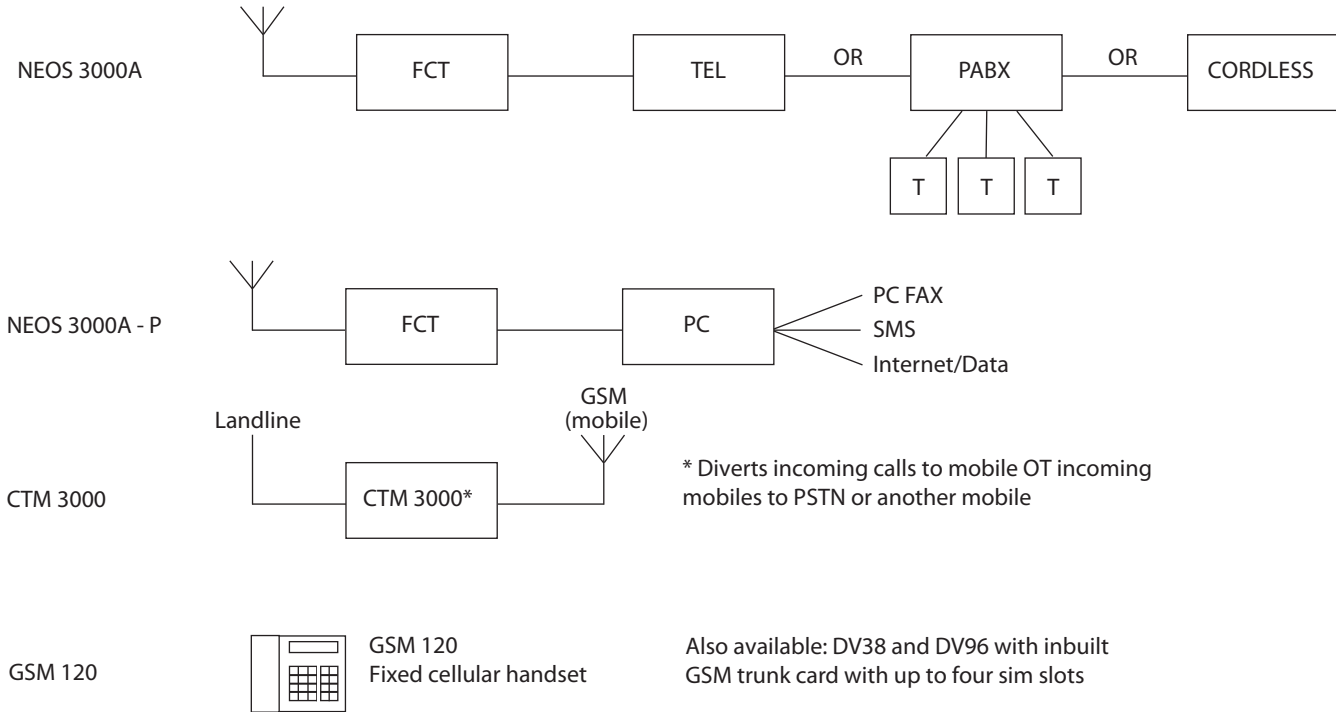
Neos offers 50 inbuilt programmable LCR codes. Using low-cost call plans, Neos routes calls either as mobile via a sim card or via landline, whichever is the cheaper option.

Enjoy free calls to mobiles from a landline or discount longdistance calls, depending on service provider selected. Neos can realistically achieve call cost savings of up to 70%.

Neos installs in minutes with PSTN or PABX systems, and any number of units can be added. Neos also provides line reversal, call timer and hotline feature.

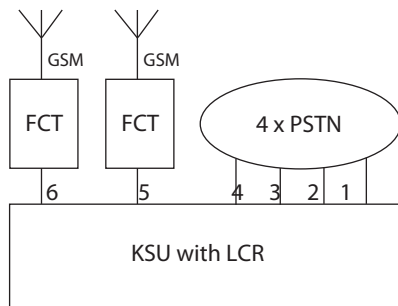


Aristel fixed cellular terminals and call diverter options



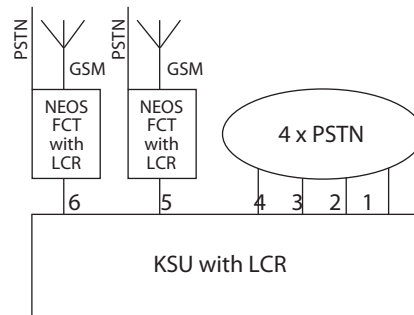
Aristel double LCR fixed cellular terminal - Neos 3000A

Normal LCR / FCT setup



- Standard FCT's use CO ports inefficiently
- Example above shows a 6 line KSU reduces to 4 lines for PSTN calls
- The alternative is to add a costly trunk card to maintain existing 6 PSTN plus 2 FCT trunks

Aristel NEOS 3000A FCT setup



- Using NEOS 3000A 6 PSTN lines can still be maintained as well as 2 cellular trunks
- Using DOUBLE LCR you LCR both the NEOS & KSU
- PSTN line access order is 1-6 and FCT access is 5 and 6
- Flexibility and line efficiency is maintained

Your dealer:

E & OE Specifications subject to change without notice

Distributed by:
Aristel Networks Pty Ltd
1/25 Howleys Road,
Notting Hill Victoria 3168 Australia
T: 03 8542 2300 F: 03 9544 3299
Freecall: 1800 00 21 33
www.aristel.com.au

