

Aristel SS91 GSM DOOR PHONE

AND ACCESS CONTROL SYSTEM

INSTRUCTION MANUAL



Aristel Networks Pty Ltd

Unit 1, 25 Howleys Rd

Notting Hill, Vic 3128

www.aristel.com.au

Ph: 03- 8542 2300

Fax: 03-9544 3299

Keep the instructions booklet safe for future reference.

TABLE OF CONTENTS

IMPORTANT SAFETY INSTRUCTION.....	3
SS91 GSM DOOR PHONE INTRODUCTION.....	4
INSTALLATION	4
SS91 GSM Door Phone Unit	4
Wiring Diagram	5
LED Indication	5
Wiring Instruction	6
SS91 GSM DOOR PHONE OPERATION	6
Visitor	5
User	6
PROGRAMMING INTRODUCTION.....	7
Enter Programming Mode	7
Function Code Table	7
SPECIFICATIONS.....	8

Thank you for purchasing SS91 GSM Door Phone. Please read the instructions carefully before installing the Door Phone.

Make sure to keep this manual safe for future reference.

IMPORTANT SAFTY INSTRUCTIONS

When using this SS91 GSM Door Phone, basic safety precautions should always be followed to reduce the risk of fire, electric shock and personal injury. Please adhere to the following before using your equipment.

1. Follow all warning and instructions on the product.
2. Unplug the product before cleaning. Do not use liquid cleaners or aerosol cleaners. Use a damp cloth for cleaning
3. Do not use this product near water
4. Do not use this product near an area where there is a potential of gas leaks or near any fumes that can be explosive.
5. Do not place this equipment near or over a radiator or any other heat source.
6. Do not overload the wall outlet or power cord where the power adapter is installed. This can result in fire or electric shock
7. Avoid spilling liquid on this equipment and do not insert any objects through the ventilation slots.
8. Avoid using the equipment during an electrical storm. There is a remote risk of electrical shock from lighting.

SS91 GSM DOOR PHONE INTRODUCTION

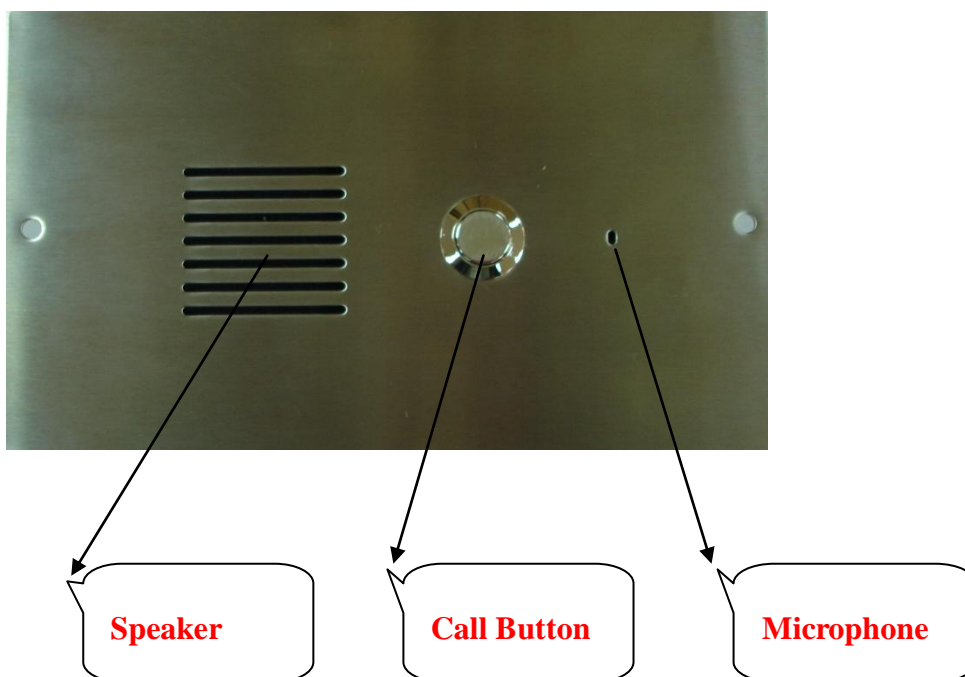
The GSM Door Phone SS91 is an intercom system, installed at the entrance of a building. It is an ideal product replacing the traditional door phone. It allows you to speak with visitors standing at the entrance of your company or house entrance from a remote location. A visitor, by simply pressing the door button establishes a mobile call with you. During the call you will be able to activate two devices, whether it is door unlocking mechanism or activating / de-activating any other devices by pressing appropriate digits.

This SS91 GSM Door Phone gives you the opportunity not only to know who is waiting at the entrance from a remote location but also to control the access point. Use of SS91 GSM Door Phone at your company or house does not require any special installation and wiring. Simply install the Door Phone and connect the door latch and power supply.

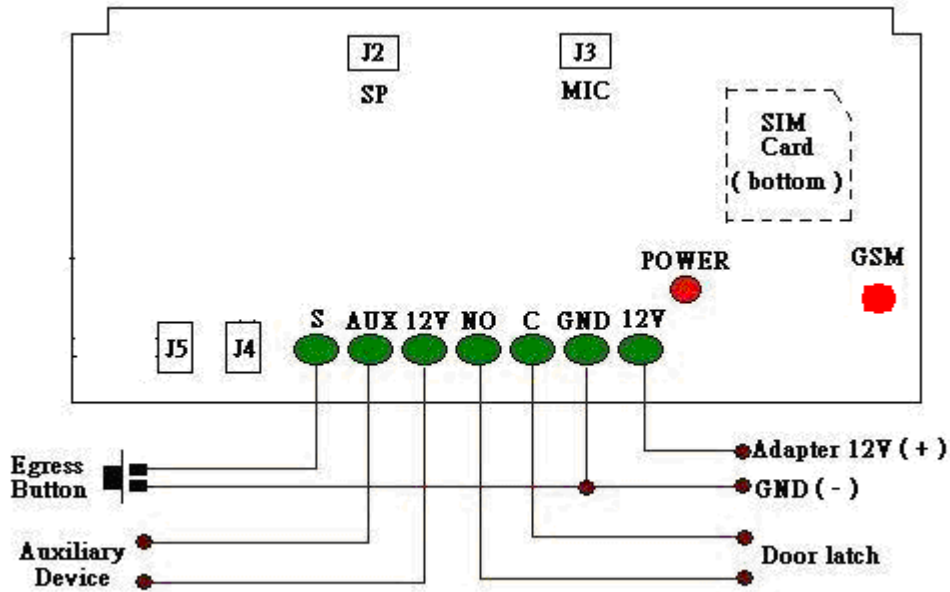
The door phone system permits communication via dual band, GSM Networks on frequencies 900/1800 MHz.

INSTALLATION

1. Aristel SS91 GSM Door Phone Unit



Wiring Diagram



2. LED “ Power ” Indication

LED	Activity	Result
Red	Permanently on	Power On
Red	Off	Power Off

LED “ GSM ” Indication

LED	Activity	Result
Red	Permanently On	GSM line busy
Red	0.6 sec On and Off	Mobile not ready *
Red	0.1 sec On, 3sec Off	Mobile ready

- The door phone beeps at the same time.

3. Wiring Instructions

1. Power Supply Wiring

Connect a 12V DC/1A power supply with “**adapter 12V (+) and GND (-)**” wires

(Warning: Make sure that polarity is maintained correctly)

2. Door Lock Wiring

Terminate the door lock circuit on terminals marked “**Door Latch**”.

The Door latch circuit should have a separate power supply and terminated via DCLIU.

3. Antenna

Antenna may be hung freely inside the wall cavity or fixed vertically upwards on the opposite side of the wall. The antenna could be folded in the shape of “L” during installation.

SS91 GSM DOOR PHONE OPERATION

Visitor:

When the visitor pushes the call button to activate the door phone ring tone will be heard from the door phone. At the same time connection is established with the phone number that is stored in the Door Phone. If nobody answers the phone for 20 sec, device will hang up and automatically dial next set of phone number stored. The remote phone answers the call from door phone and starts conversation with the visitor. During conversation the door latch can be operated by pressing “ * ” button. Alternatively, an auxiliary device (rear door for example) can be operated by pressing the “#” button.

User:

Enter Listener Monitoring Mode

1. Call the telephone number to which the door phone is connected.
2. You will hear a “Do” tone to enter listener monitoring mode by pressing **【 12 # 】**
3. You are now in the “listener monitoring mode”.
4. Under this mode speaker is OFF.(**35 #** :speaker ON)
5. **You can still control the relay output when you are under listener monitoring mode.**

PROGRAMMING - INTRODUCTION

Enter Programming Mode

1. Call the telephone number to which the door phone is connected
2. You will hear a “Do” tone when the Door Phones answers the call. To enter into programming mode by punch in *12*1234 # where 1234 is the password.
3. You are now in the “programming mode”

Note: At the end of each command there can be one of the two indications:

successful: a long “Do” tone, failed program instruction: three short “Do” tone.

4. To make changes on settings please refer to the function code table below.

Function Code Table

No.	Feature	Function Code	Description	Default
1	Change password of Programming Mode	0 + password #	password:4 digit codes	1234
2	Change password of Monitoring Mode	63+ password #	password:2 digit codes	12
3	Store Phone No.	1 + n +phone number #	n=1~3 phone No.:3~15 digit codes	None
4	Relay status	2 + relay status #	status:1=N.O. / 2=N.C.	1
5	Speaker Volume	3 + speaker volume #	volume:0~4 levels	3
6	Microphone Volume	4 + microphone volume #	volume:0~4 levels	3
7	Relay Activation Time	51 + relay activation time #	activation time= n *0.5sec n:1~9	1
8	Ringing Time	52 + ringing time #	ringing time :10~99 sec	20 sec
9	Relay Output key	61 + X #	X=0~9 / * / #	*
10	Auxiliary Output key	62 + X #	X=0~9 / * / #	#
11	Reset	999 #	reset default	None

Specifications

Model :SS91

Dimensions: Casing 120 x 70 x 55mm (lwh) Face plate: 170 x 100mm

Frequency band : GSM 900/1800 MHz dual band

Power input: 12V dc, 1A

Length of power cord: 3m from casing + 2m from power pack

Length of antenna cable 20cm