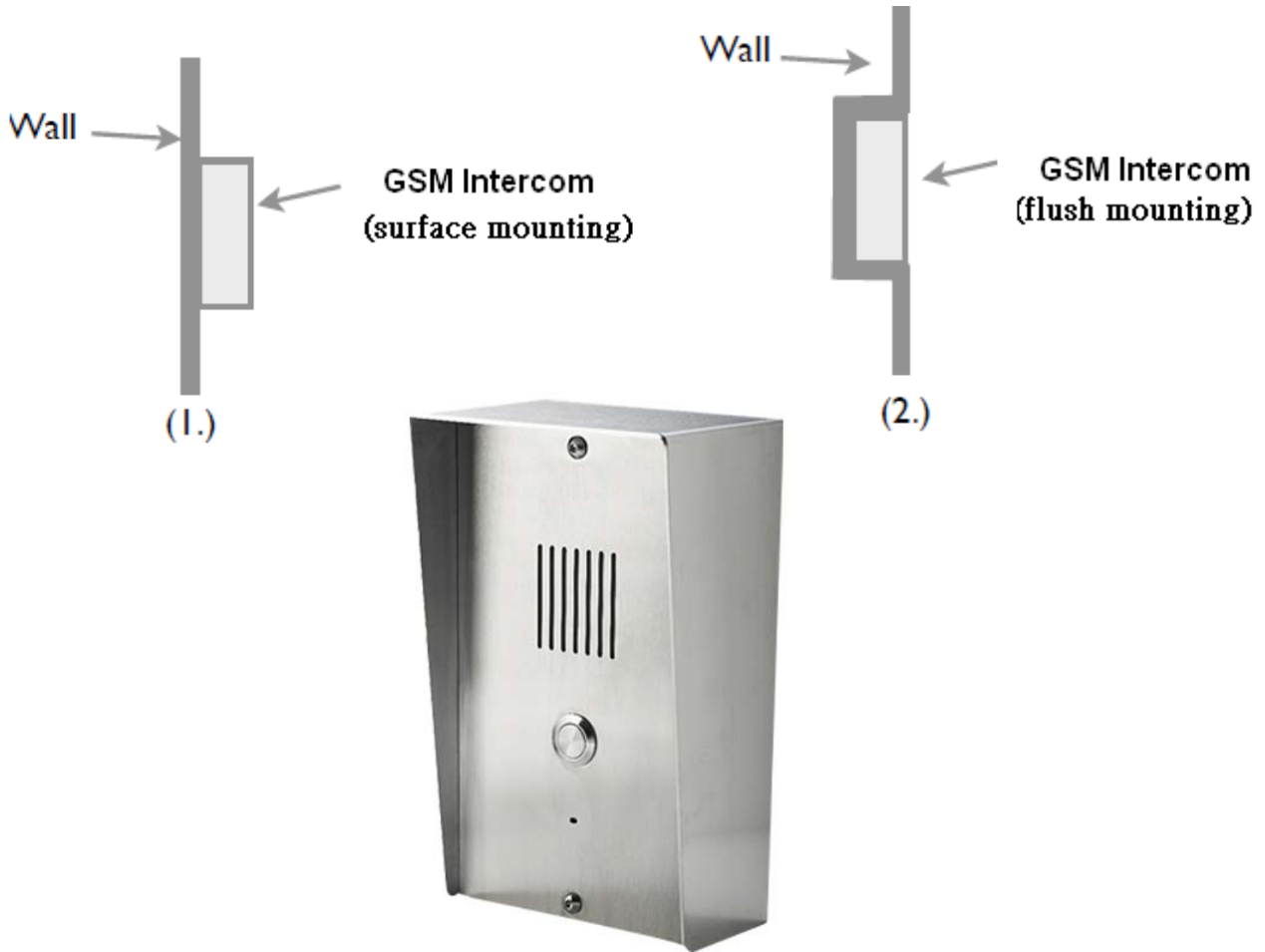


# AN1804 4G

## QUICK INSTALL GUIDE

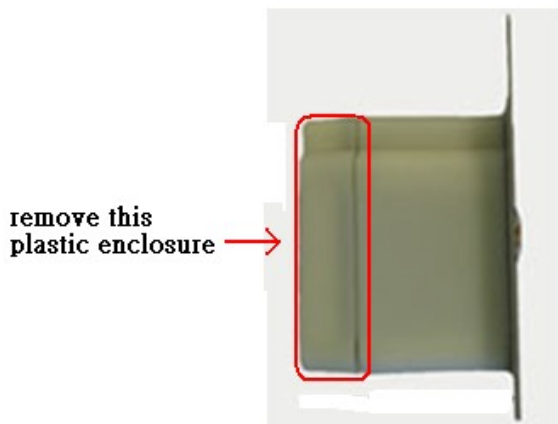
### INSTALLATION

This 4G Intercom is suitable for both flush and surface mounting.

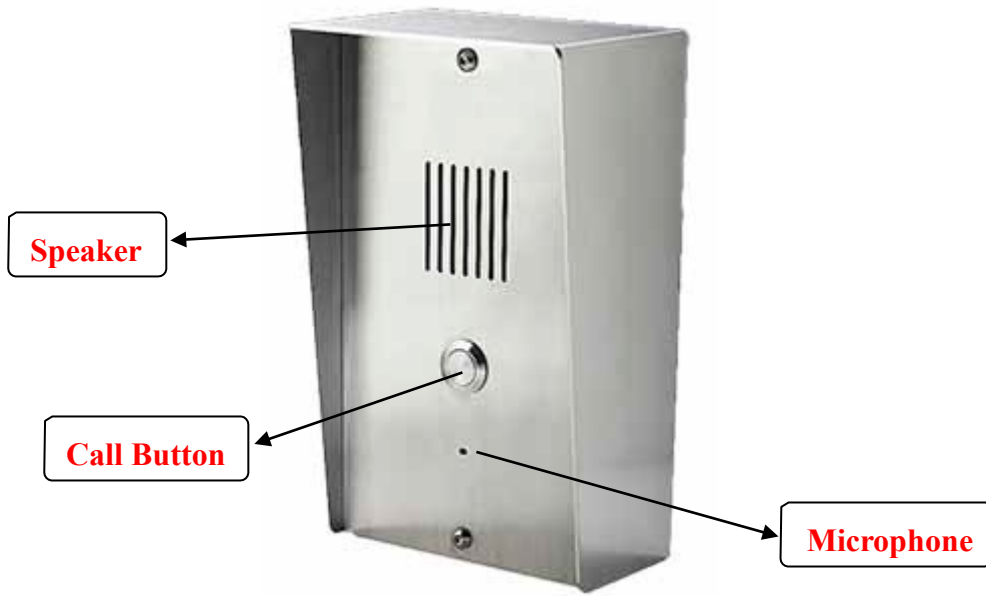


### Note:

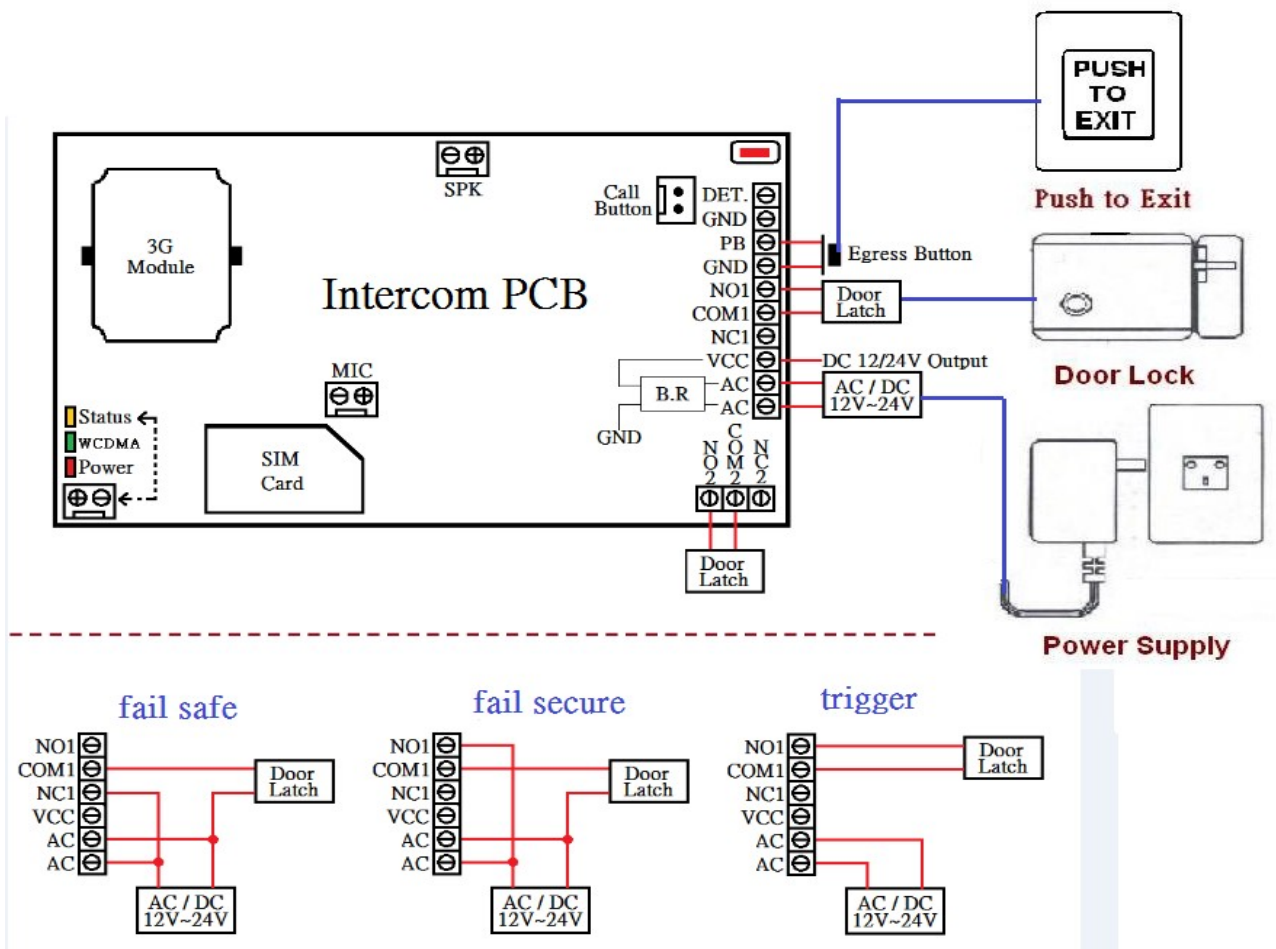
For surface mounting, you will have to remove the plastic enclosure before fitting main station into the stainless steel cabinet.



**Intercom Unit**



**Wiring Diagram**



## LED INDICATORS

### 1. LED “Intercom Status “ Indicator

LED	Status
Yellow (standby)	Flashes once per 5 seconds
Yellow (using)	Solid

### 2. LED ‘Network “Indicator

LED	Status
Green (ready)	Flashes once per 3 seconds
Green (searching)	Flashes once per second
Green (busy)	Solid

### 3. LED “ Power “ Indicator

LED	Status
Red (power on)	Solid
Red (power off)	Off

#### 1. SIM card

Register your SIM card with the network, and check it works in a mobile phone

You **MUST** remove the PIN request from the SIM before inserting it in the unit.

Ensure the power is OFF before inserting the SIM card. Carefully slide the SIM holder in the OPEN direction, insert the SIM, and slide in the CLOSED direction to lock it in place.

#### 2. Antenna

Install the antenna as high as possible for best possible reception.

#### 3. Door Lock

Connect an electric door lock to terminals marked “door latch”.

#### 4. Power Supply

Connect a 12-24 volt power source to terminals marked “AC, AC”

The power supply should be capable of supplying a constant current of no less than 1amp.

#### 5. After a final check of wiring , switch on the power

6. Allow 20~30 seconds for the unit to boot up and detect the network. Once a successful connection has been made, the unit will sound a confirmation tone and the status LED will begin flashing.