

# AN1808-08 4G

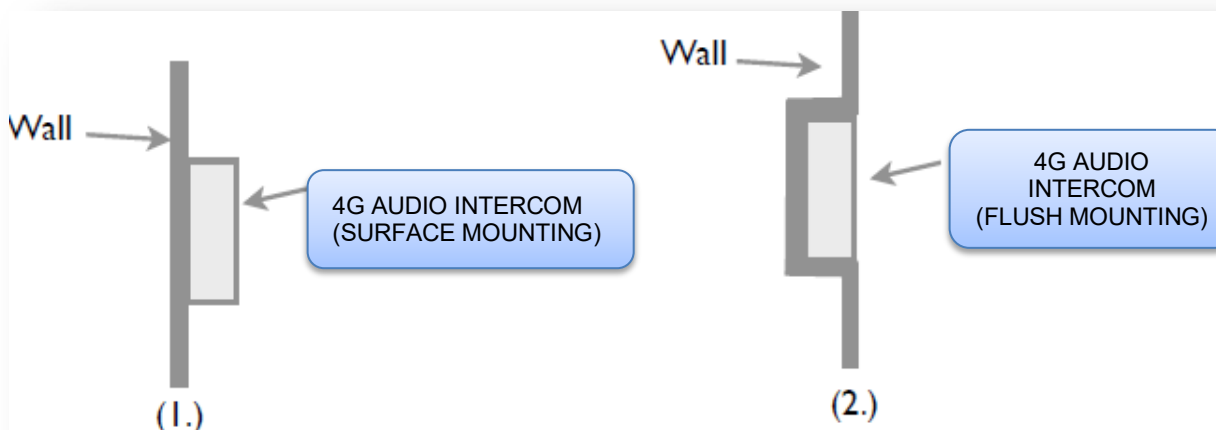
## QUICK INSTALLATION GUIDE

### Front View



### Installation

This 4G audio intercom is suitable for both flush mounting and surface mounting.



## 1. SIM card installation (Fig 1)

- 1.1 Disconnect the 12V adaptor from the AN1808-01
- 1.2 Remove the rear plastic cover
- 1.3 Remove the SIM card cover from the bottom of the unit
- 1.4 Slide the SIM card holder towards the front of the unit
- 1.5 Lift up the holder
- 1.6 Before inserting the SIM card, ensure that it is not PIN number locked. (If locked, use a mobile phone to unlock it).**
- 1.7 Insert the SIM card (Note orientation of notched corner)
- 1.8 Replace holder and slide towards the rear of the unit to lock in place
- 1.9 Replace rear plastic cover

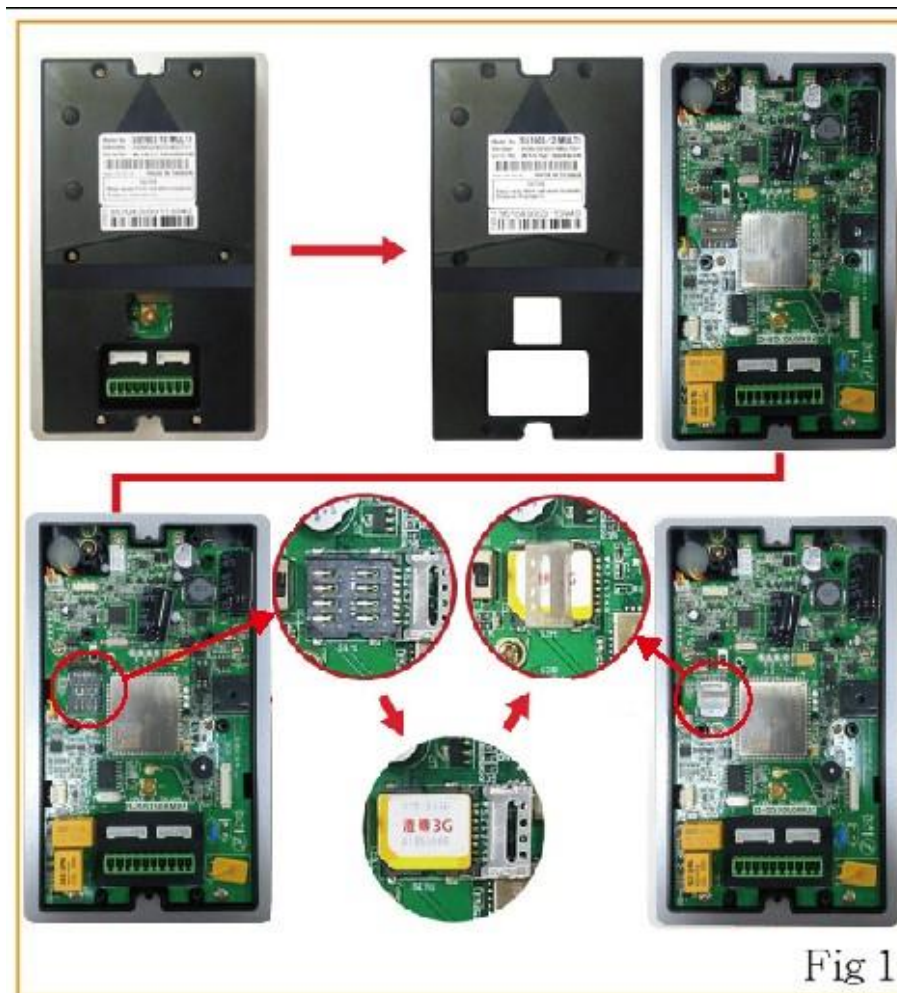
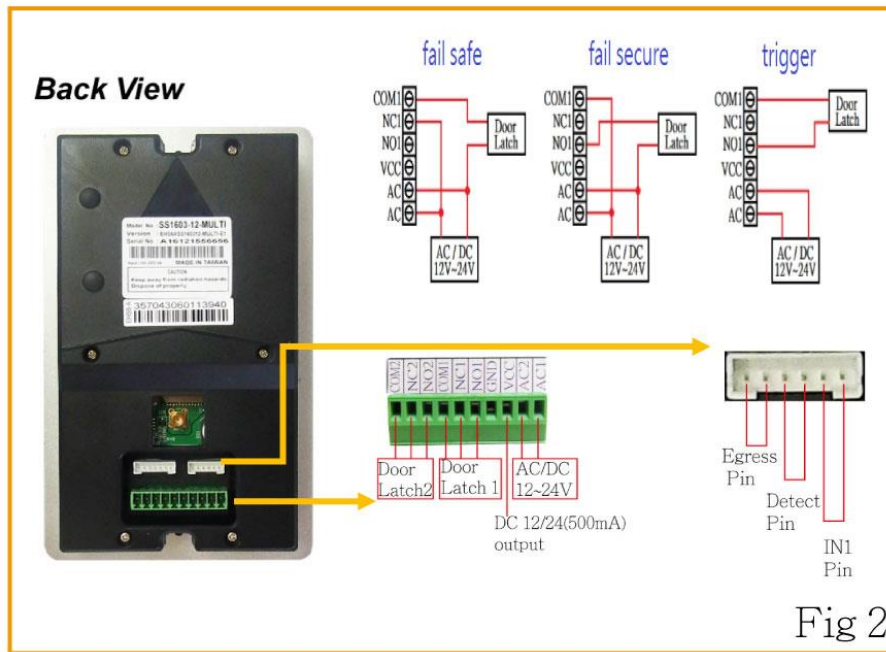


Fig 1

## 2. Connecting with the door lock system (Fig 2)

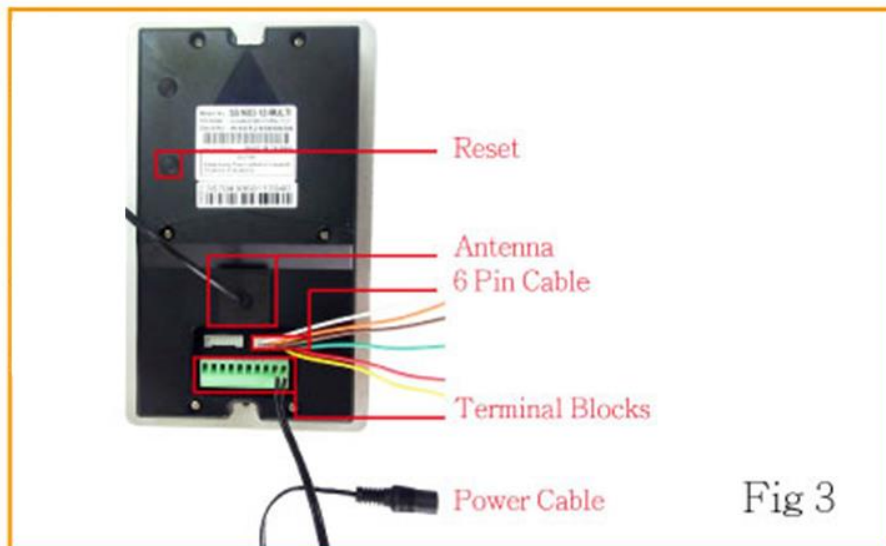
2.1 According your door lock type to wire with door latch of connector.



## 3. Connecting the Antenna (Fig 3)

3.1 Plug on the antenna cord to the connector on the rear of the unit

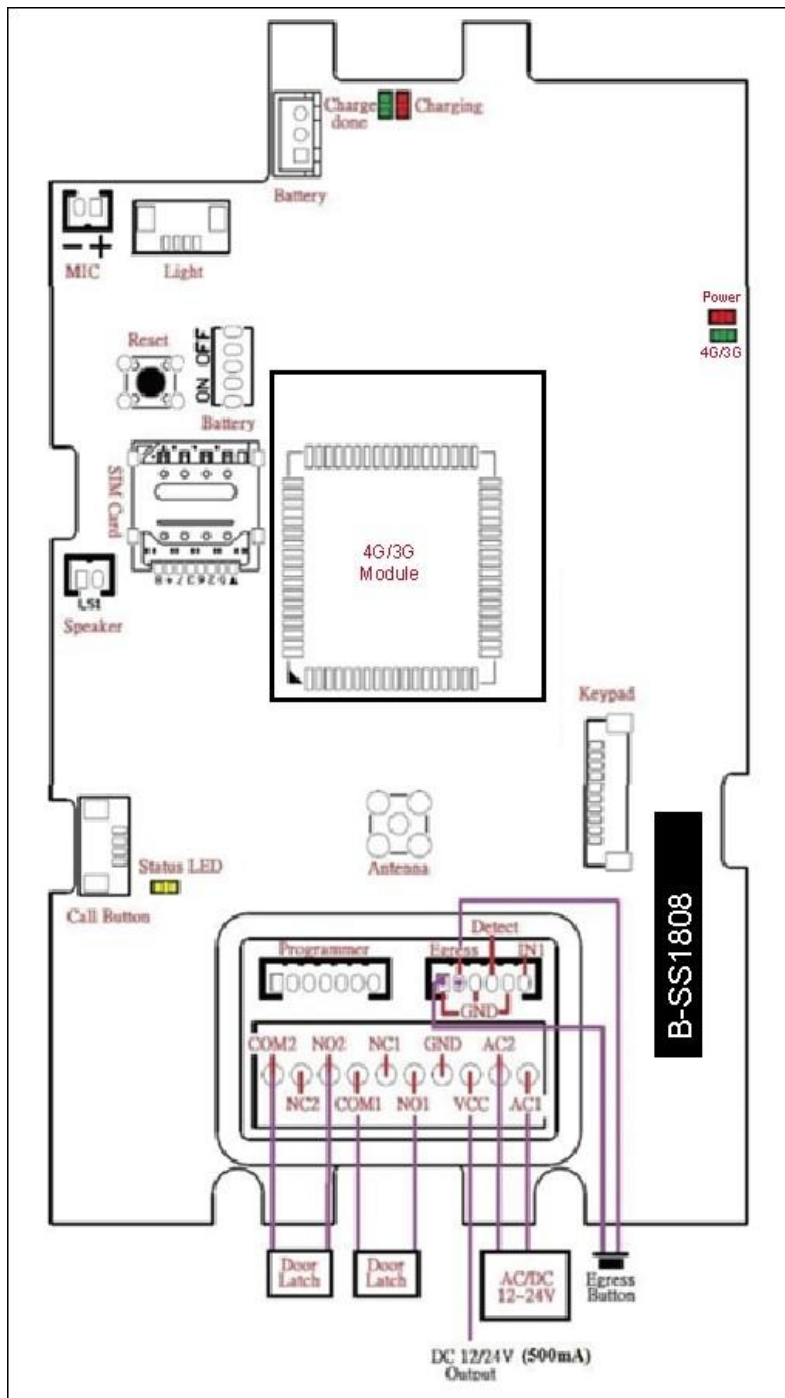
3.2 Place antenna away from electrical/electronic systems (computers, microwave ovens, etc)



#### 4. Power on and Fix it well

- 4.1 Connect the power adaptor into the connector marked AC
- 4.2 The blue indicator of call button should be on and you will hear Du Du tone.
- 4.3 Fix the unit on the position before ready.
- 4.4 When the Du Du tone is disappeared then the Device is ready.

### Wiring Diagram



## Using the AN1808-01

### 1. Setting your call out numbers

- i) Send the text SMS to the number of device.
- ii) The format of text SMS is **\*12\*1234#11[call out number 1]#12[call out number 2]#13[call out number 3]#**
- iii) When the setting is finished, the sender will receive the reply as below a s **11[call out number 1]#12[call out number 2]#13[call out number 3]#OK.**
- iv) If you press call button of device, it will call to the numbers in sequence.

### 2. Setting your dial in numbers

- i) Send the text SMS to the number of device.
- ii) The format of text SMS is **\*12\*1234#71[country code]#72[relay][call in number 1]# 72[relay][call in number 2]#**
- iii) When the setting is finished, the sender will receive the reply as below.  
**71[country code]#72[relay][call in number 1]# 72[relay][call in number 2]#...OK**
- iv) If you call to the number of device through the dial in numbers, the device will trigger the relay to control the door latch.
- v) If the number is not matched with the dial in numbers, the device will answer and sound a beep. Then you can enter the programming mode by password.

### 3. App on iOS and Android

- i) Please search “**3G intercom**” on Apple store or Google Play
- ii) The App can help you to program the device easier.
- iii) You can use the App to unlock the door through call or SMS.