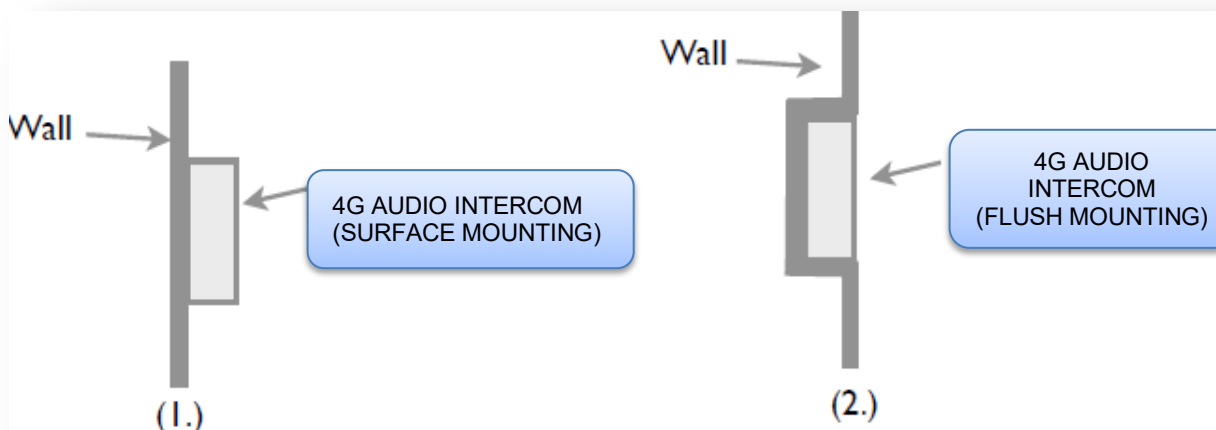


AN1808-12M (MULTI) QUICK INSTALLATION GUIDE



Installation

This 4G audio intercom is suitable for both flush mounting and surface mounting.



1. SIM card installation (Fig 1)

- 1.1 Disconnect the power from the intercom.
- 1.2 Remove the rear plastic cover
- 1.3 Remove the SIM card cover from the bottom of the unit
- 1.4 Slide the SIM card holder towards the front of the unit
- 1.5 Lift up the holder
- 1.6 Before inserting the SIM card, ensure that it is not PIN number locked. (If locked, use a mobile phone to unlock it).**
- 1.7 Insert the SIM card (Note orientation of notched corner)
- 1.8 Replace holder and slide towards the rear of the unit to lock in place
- 1.9 Replace rear plastic cover

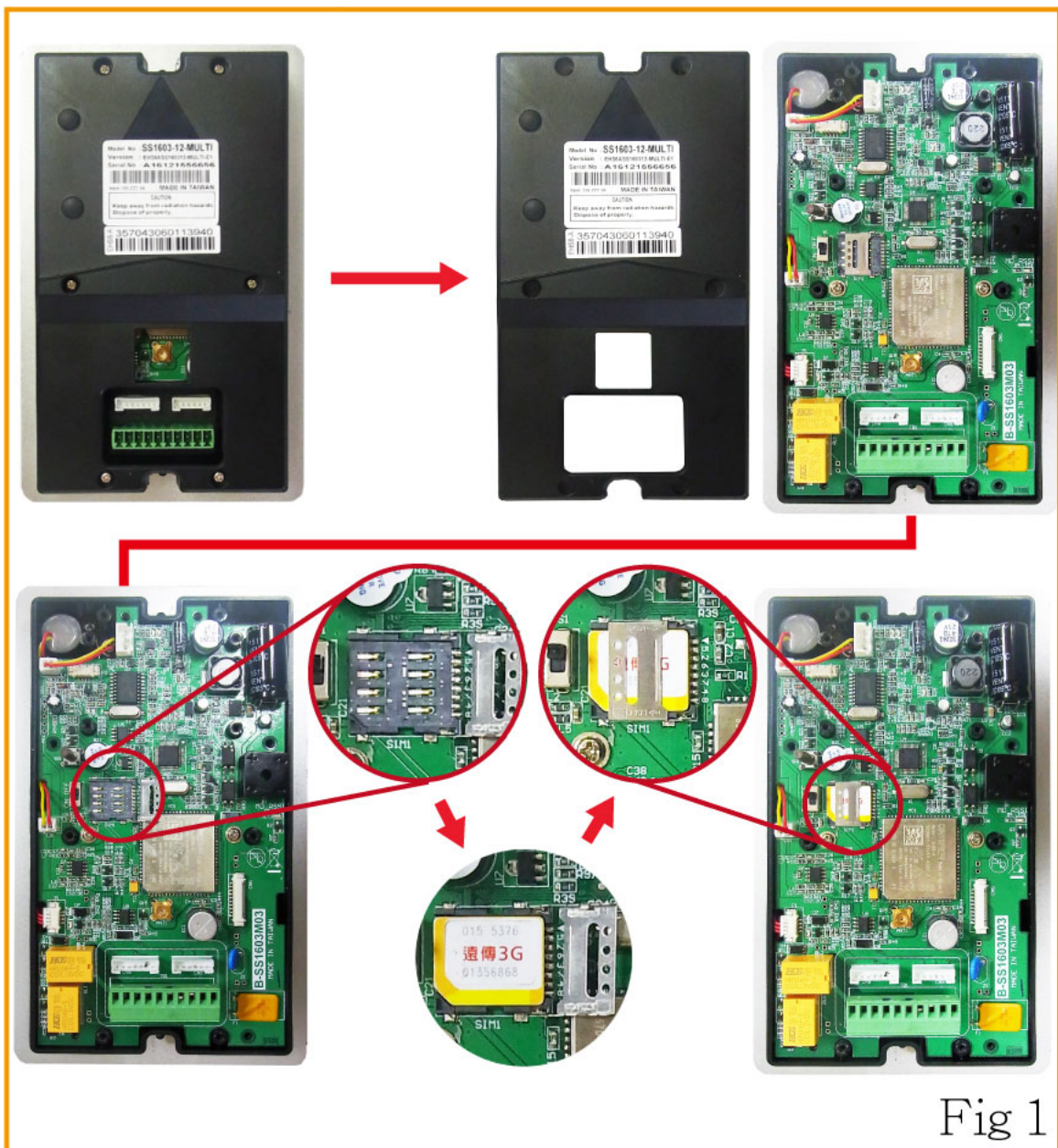
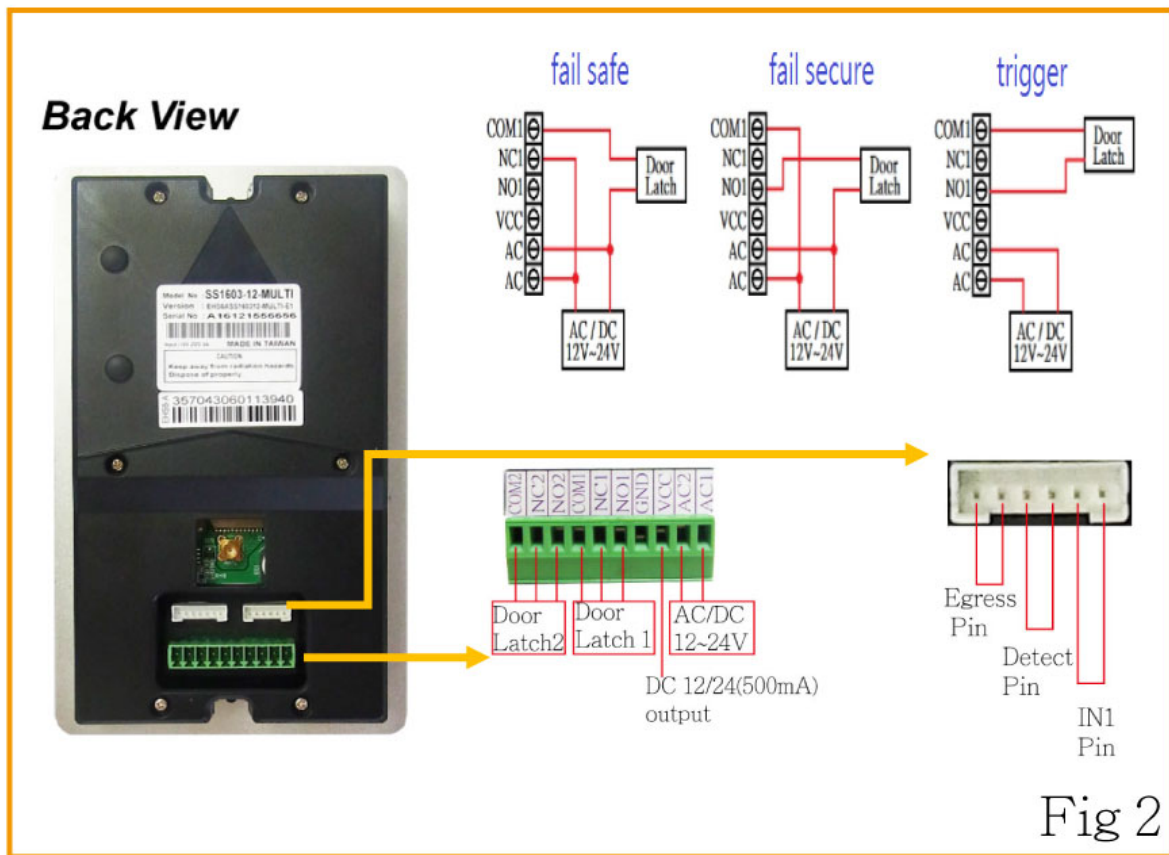


Fig 1

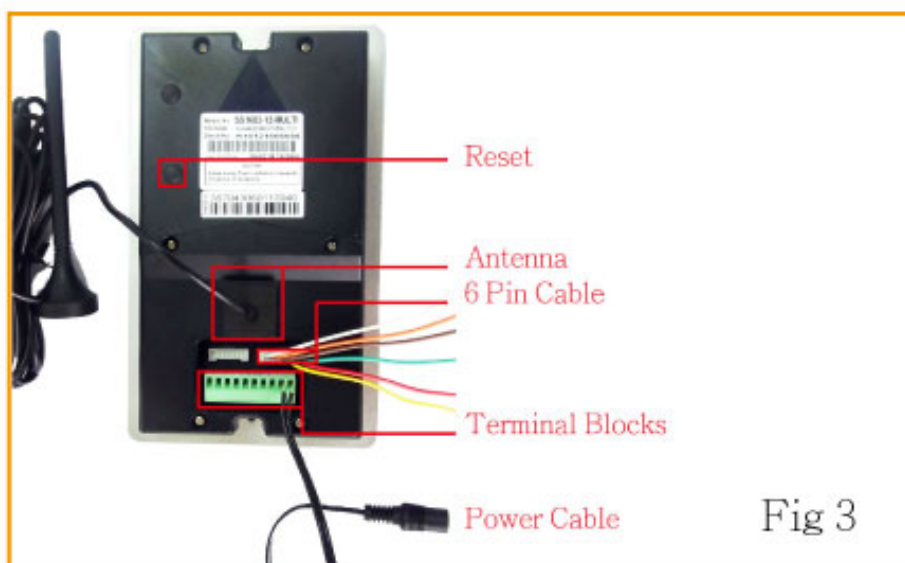
2. Connecting with the door lock system (Fig 2)



2.1 According your door lock type, see wiring diagrams below.

3. Connecting the Antenna (Fig 3)

- 3.1 Plug in the antenna cord to the connector on the rear of the unit
- 3.2 Place antenna away from electrical/electronic systems (computers, microwave ovens, etc)



4. Power on.

- 4.1 Connect the 12-24v power source to the connector marked AC
- 4.2 The blue indicator of call button should be on and you will hear Du Du tone.
- 4.3 Position the intercom where it will be installed.
- 4.4 When the Du Du tone has ceased, the device is ready.

Wiring Diagram

