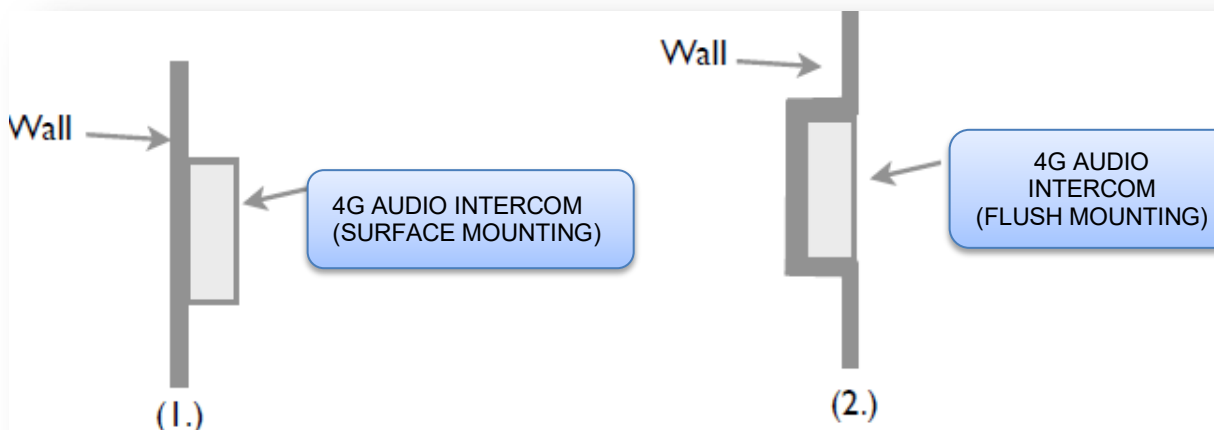


AN1808-12S (SINGLE) QUICK INSTALLATION GUIDE



Installation

This 4G audio intercom is suitable for both flush mounting and surface mounting.



1. SIM card installation (Fig 1)

- 1.1 Disconnect the 12V adaptor from the intercom.
- 1.2 Remove the rear plastic cover
- 1.3 Remove the SIM card cover from the bottom of the unit
- 1.4 Slide the SIM card holder towards the front of the unit
- 1.5 Lift up the holder
- 1.6 Before inserting the SIM card, ensure that it is not PIN number locked. (If locked, use a mobile phone to unlock it).**
- 1.7 Insert the SIM card (Note orientation of notched corner)
- 1.8 Replace holder and slide towards the rear of the unit to lock in place

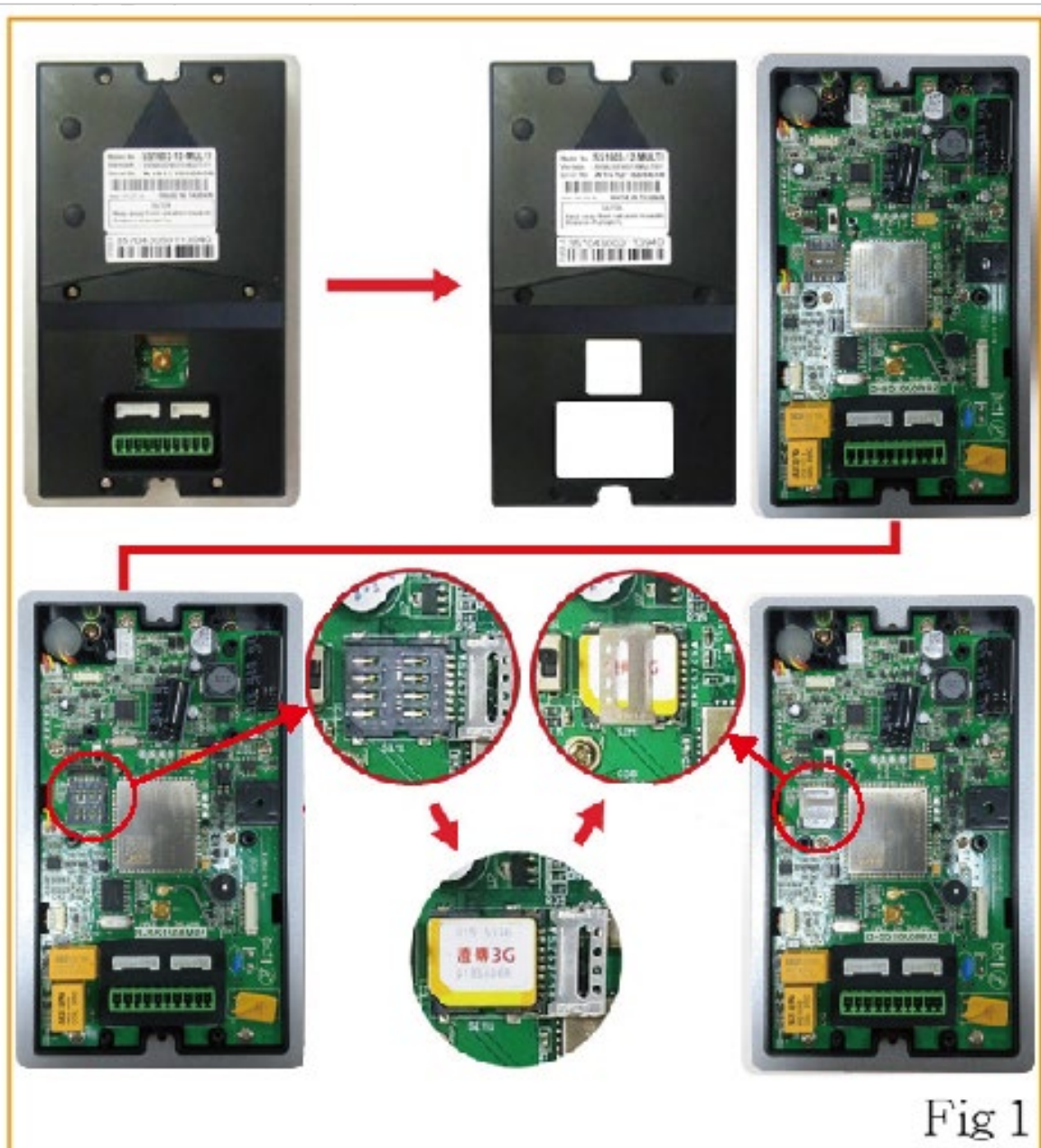
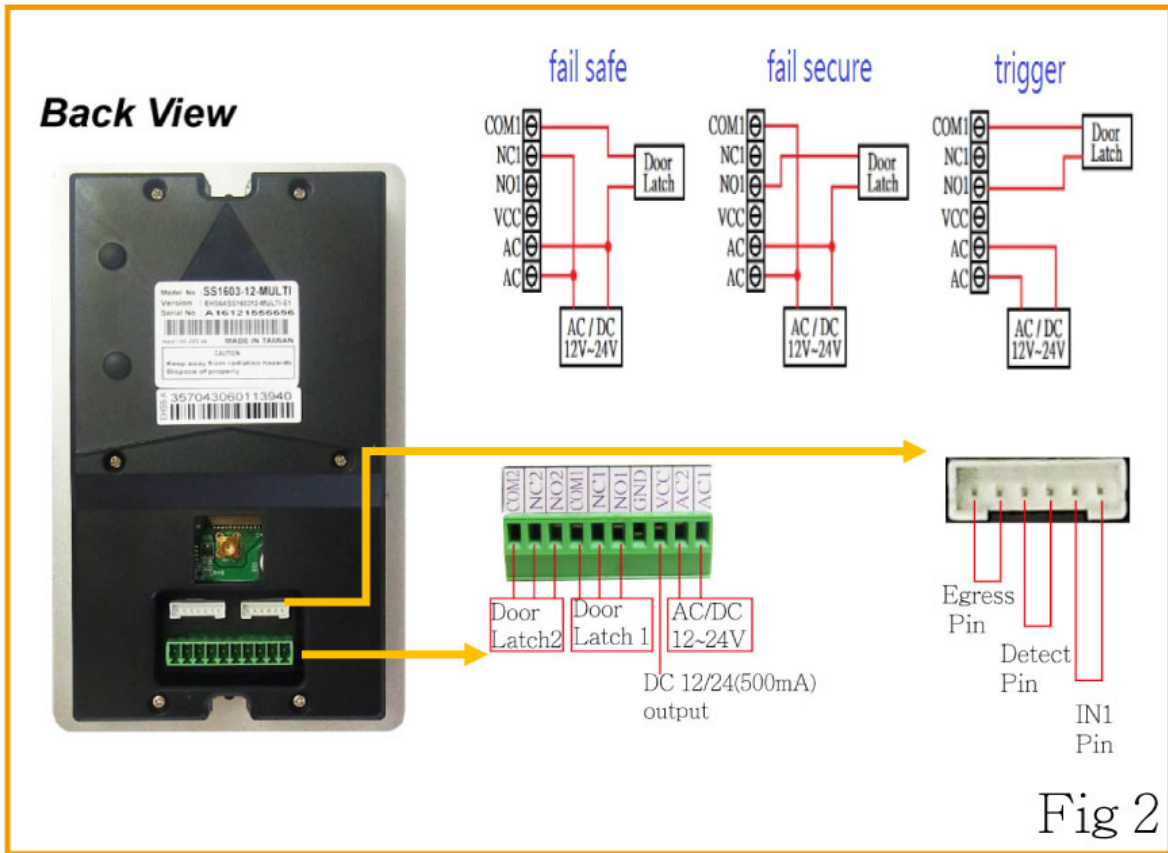


Fig 1

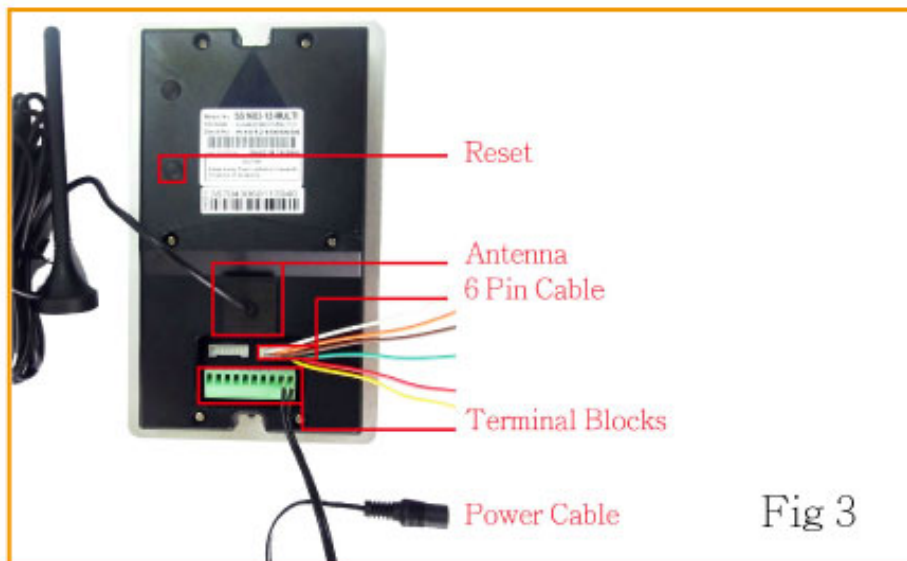
2. Connecting with the door lock system (Fig 2)

2.1 See below for your relevant door lock type wiring instructions.



3. Connecting the Antenna (Fig 3)

- 3.1 Plug in the antenna cord to the connector on the rear of the unit
- 3.2 Place the antenna away from electrical/electronic systems (computers, microwave ovens, etc).



4. Power on.

- 4.1 Connect the power adaptor into the connector marked AC
- 4.2 The blue indicator of call button should be on and you will hear Du Du tone.
- 4.3 Fix the unit in position before activating.
- 4.4 When the Du Du tone has disappeared, the device is ready.

Wiring Diagram

